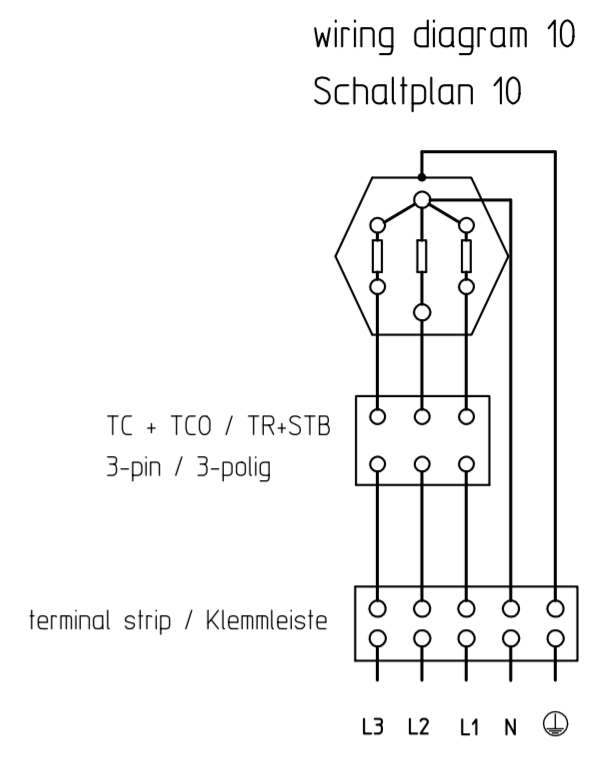
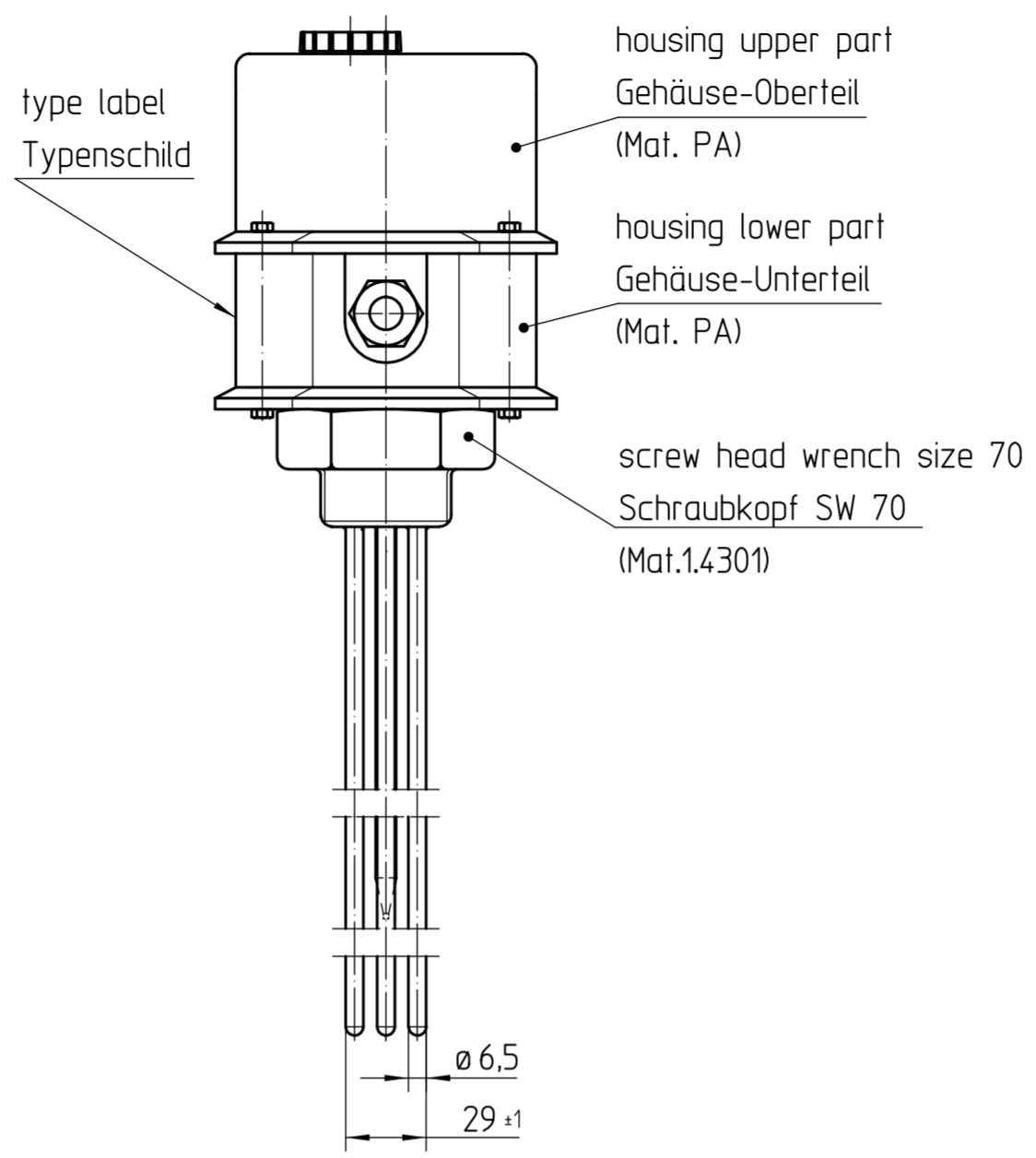
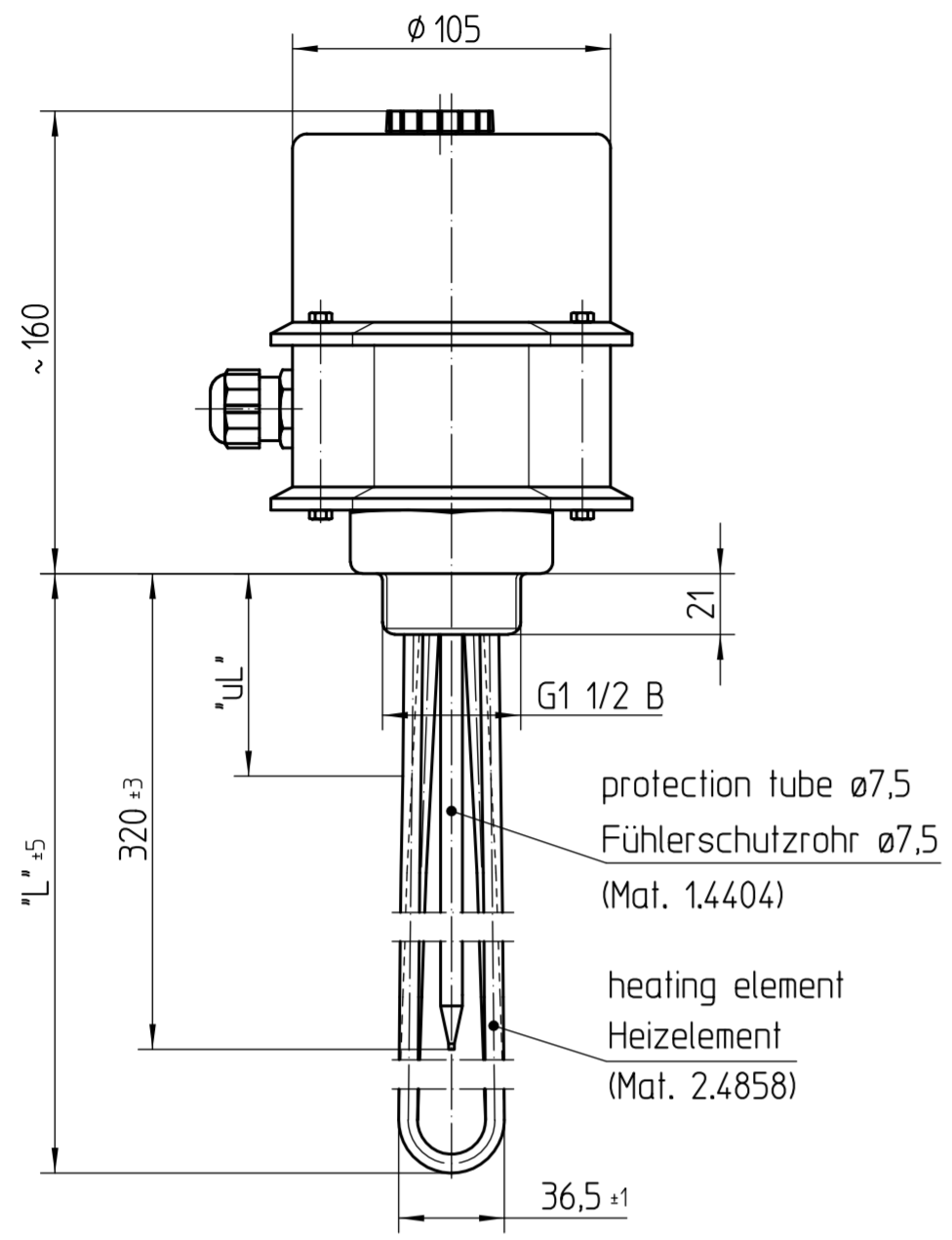
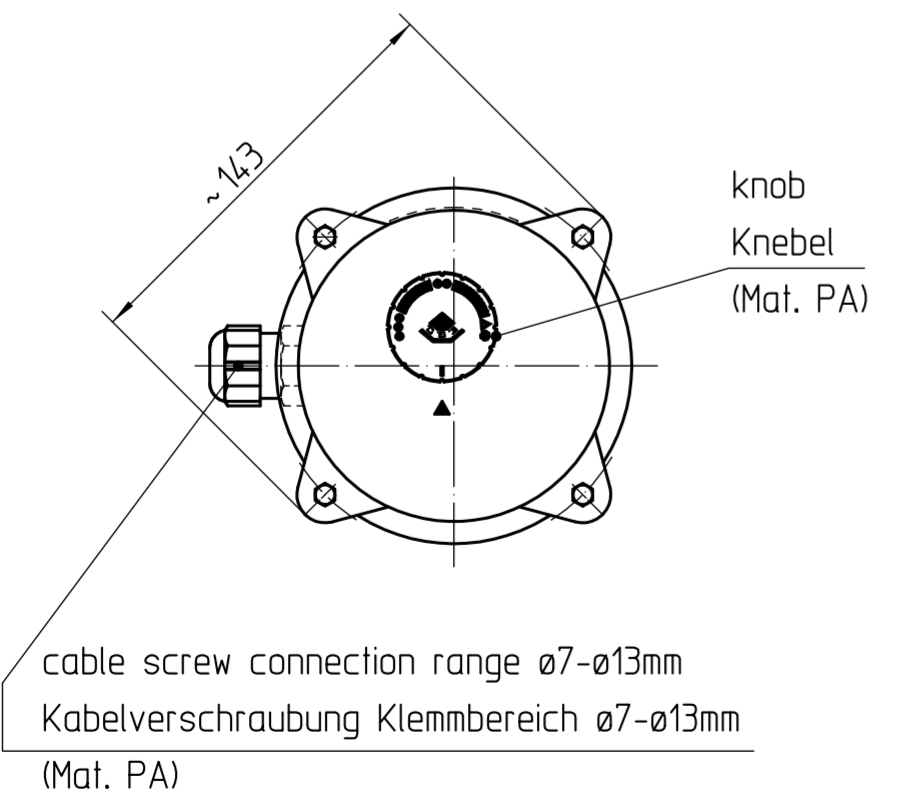


document id.: 29.60860.023-001-03-A / state: 230 - released  
 view date: 2022-02-17 12:12:16 / user: BENDER  
 item id.: 29.60860.023-00/69A / SAP material state: 2F



- Max. temperature of sealant in area of tube end: ST 110°C  
 Max. Temperatur der Abdichtung im Bereich Rohrende: ST 110°C
- Max. temperature of tube surface: TT 150°C  
 Max. Temperatur der Rohrmanteloberfläche: TT 150°C
- Tightening torques see mounting instruction for EGO Insert Heating Element  
 Anzugsdrehmomente siehe Montagehinweis für EGO Einschraubheizkörper



Insert Heating Element with 3 heating circuits Einschraubheizkörper mit 3 Heizkreisen						
wattage Leistung	voltage Spannung	immersion depth "L" Eintauchtiefe "L"	unheated length "uL" unbeheizte Länge "uL"	insert heating element-type Einschraubheizkörper-Type	thermal cut-out + thermostat-type Regler-Begrenzer-Type	remarks Bemerkung
6000 Watt	3N ~400V	450 mm	110 mm	29.60860.023	55.60011.230	wiring diagram 10 Schaltplan 10
					adjustment range /Einstellbereich TC/TR 31°C - 80°C TCO/STB 95°C - 8K	
					anti freezing point Frostschutzstufe 12°C +7K	
					fail-safe / brucheisensicher	
approval marks Prüfzeichen		IP54 CE		DIN EN 60335-1 DIN EN 60335-2-73 VDE 0700-253		
This document is exclusively committed to you for the agreed purpose. Any kind of duplication, utilization or communication of its content is prohibited, if not expressly conceded otherwise. Violators are committed to pay compensations. Any claims of existing or future property rights remain unaffected.		Blank No. . . . .		EN Mat.No. . . . .		Scale Unit mm
						Scale 1:2.5
						Surface Texture ISO 1302 General Tolerances ISO 2768 v
2 C03613 2021-07-12 CAD Date Name		1 C03173 2019-11-18 Create 2021-03-29 HOCKM		Designation EGO Insert Heating Element EGO Einschraubheizkörper		
Cha. Information No. Date Proc. 2021-03-29 HOCKM		F.Rel. C02608 2017-05-09 Rel. 2021-07-09 HOCKM				
E-G-O		Drawing No. 29.60860.023		Sh.No. Ver. Stat. Sheets Doc. Ex.Doc. 001 03 F . . .		
Origin . . . . .		Repl.for . . . . .		Repl.by . . . . .		Ref. . . . .